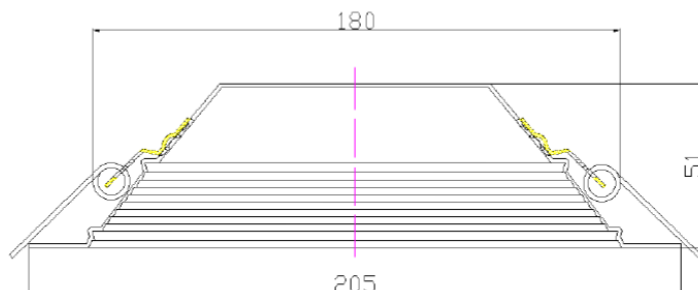




## LED Down Light (7")

20W

Dimension:



### Specification

	LOM-DLCA20F8-7	LOM-DLWA20F8-7
Model No.	LOM-DLCA20F8-7	LOM-DLWA20F8-7
Input Voltage	AC100-240V	AC100-240V
Rated Power	20W±10%	20 W±10%
Total Lumens	1700lm	1500lm
Lumens Efficiency	85 lm/W	75 lm/W
Color Temp.	6000±500K	3000±500K
CRI	Ra80	Ra80
Operating Temp.	-25°C~40°C	-25°C~40°C
Power Factor	>0.9	>0.9
Life Time	≥ 40000 hrs	≥ 40000 hrs
Beam angle	100°	100°
Dimensions	205(D) *51 (H) mm	205(D) *51 (H) mm
Weight(With Power Supply)	170±20 g	170±20 g

#### Remarks

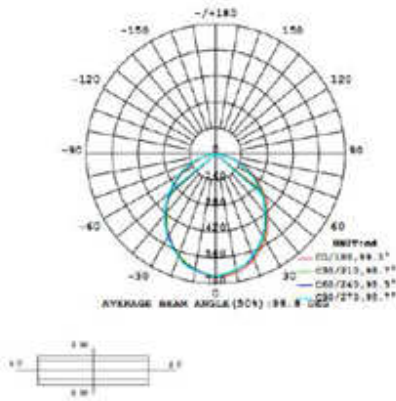
1.The tolerance of luminous flux is ±10%.

2. The dimension tolerance is ±5mm.

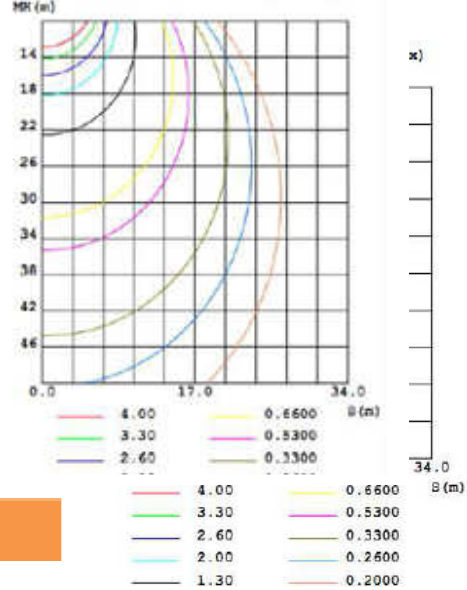
3.Laster Tech Corporation LTD. All rights reserved. Product specifications are subject to change without notice.

## Light Distribution Curve

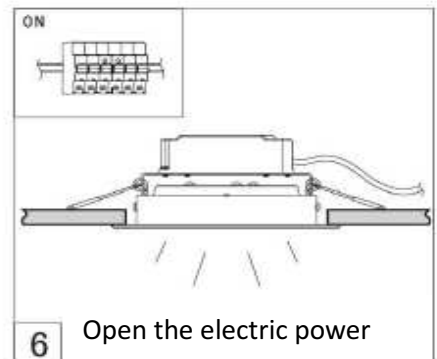
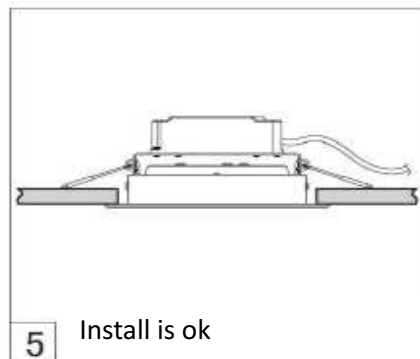
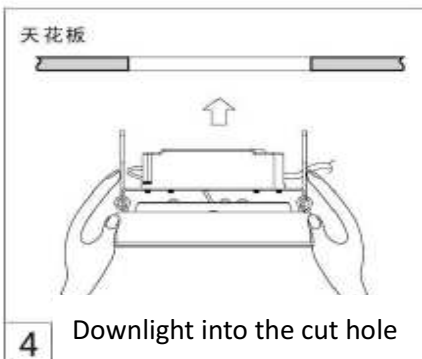
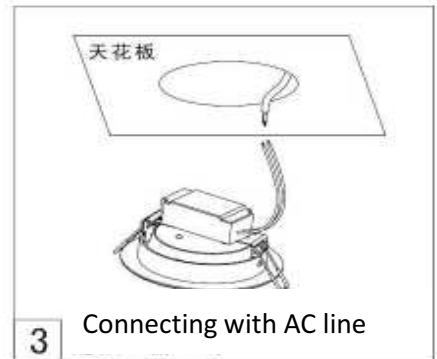
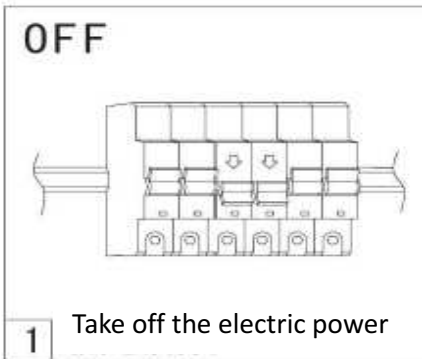
LUMINOUS INTENSITY DISTRIBUTION DIAGRAM



CO PLANE ISOLUX DIAGRAM (UNIT:lx)



## Installation Instruction



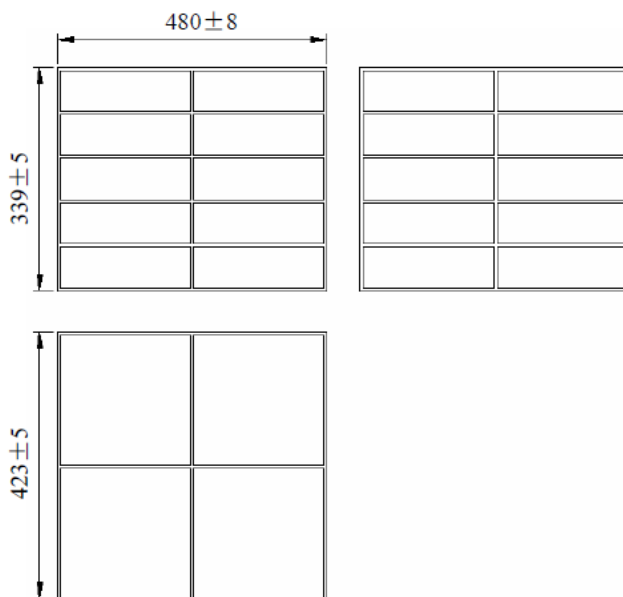
## Attention

1. Don't expose this luminaire at the high temperature and high humidity environment.
2. Don't connect this luminaire to the higher voltage than maximum input voltage as specification, otherwise the diver will be damaged. The maximum input voltage for AC100~265V/50~60Hz
3. After opening the box, check inside all the accessories that need to be set up.
4. Any material used to fix and support the lighting should be strong and non to ensure safety.
5. When installing the lighting, please make sure the safety space above the lighting up to the ceiling.  
(The suggested minimum distance is 35cm.) Keep the lighting away from any flammable items and make sure the ventilation is good.
6. Start the installation or maintenance only after disconnecting the power.
7. To ensure safety, the installation is suggested to be done by professional technicians.

## Package

### Dimensions of Carton

Carton: 20 PCS Unit Boxes



Notes: Dimensions are in millimeters.