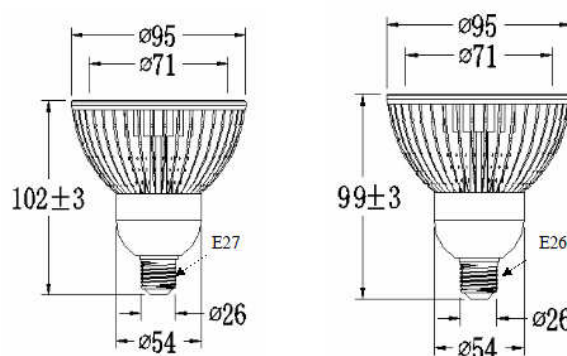


LED PAR30 (13W)



Dimension:



Notes: 1. Dimensions are in millimeters
2. Tolerances unless dimensions $\pm 1\text{mm}$

Specification

	LOM-PA30C13F8	LOM-PA30W13F8
Model No.	LOM-PA30C13F8	LOM-PA30W13F8
Input Voltage	100~240V	100~240V
Rated Power	13W $\pm 10\%$	13 W $\pm 10\%$
Total Lumens	1200 lm	1100 lm
Lumens Efficiency	95lm/W	85 lm/W
Color Temp.	6000 $\pm 500\text{K}$	3000 $\pm 500\text{K}$
CRI	80	80
Operating Temp.	-25°C~40°C	-25°C~40°C
Base	E27	E27
Life Time	30000 hrs	30000 hrs
Beam angle	25°	25°
Dimensions	95(D) X 102(H) mm	95(D) X 102(H) mm
Weight	200 $\pm 20\text{g}$	200 $\pm 20\text{g}$

Remarks

1. The tolerance of luminous flux is $\pm 10\%$.
2. The dimension tolerance is $\pm 5\text{mm}$.
3. Laster Tech Corporation LTD. All rights reserved. Product specifications are subject to change without notice.