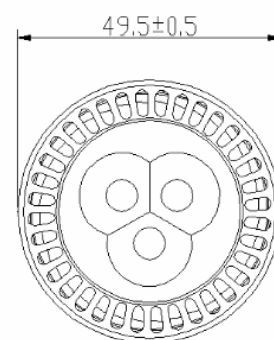
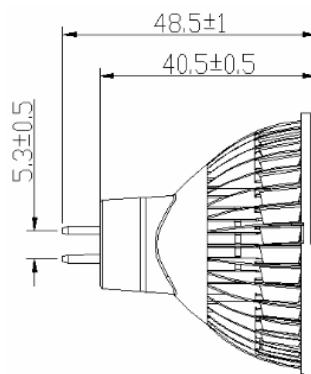




LED MR16 (7W)

Dimension:



Specification

Model No.	LOM-MR16C7AX	LOM-MR16N7AX	LOM-MR16W7AX
Input Voltage	12V DC/AC	12V DC/AC	12V DC/AC
Rated Power	7 W±10%	7W±10%	7W±10%
Total Lumens	560 lm	490 lm	490 lm
Lumens Efficiency	80 lm/W	70 lm/W	70 lm/W
Color Temp.	6000 ±500K	4000 ±500K	3000 ±500K
CRI	80	80	80
Operating Temp.	-25°C~40°C	-25°C~40°C	-25°C~40°C
Base	GU5.3	GU5.3	GU5.3
Life Time	≥ 30000 hrs	≥ 30000 hrs	≥ 30000 hrs
Beam angle	A1:30°/A2:45°	A1:30°/A2:45°	A1:30°/A2:45°
Dimensions	49.5(D) X 48.5(H) mm	49.5(D) X 48.5(H) mm	49.5(D) X 48.5(H) mm
Weight	29 g	29 g	29 g

Remarks

1. The tolerance of luminous flux is ±10%.

2. The dimension tolerance is ±5mm.

3. Laster Tech Corporation LTD. All rights reserved. Product specifications are subject to change without notice.

Laster Tech Corporation LTD. Building F No.4, Minxiang St., Zhonghe City, Taipei County 235, Taiwan V1.2

www.sweeo.com TEL:+886-2-22226112 FAX:+886-2-22226196

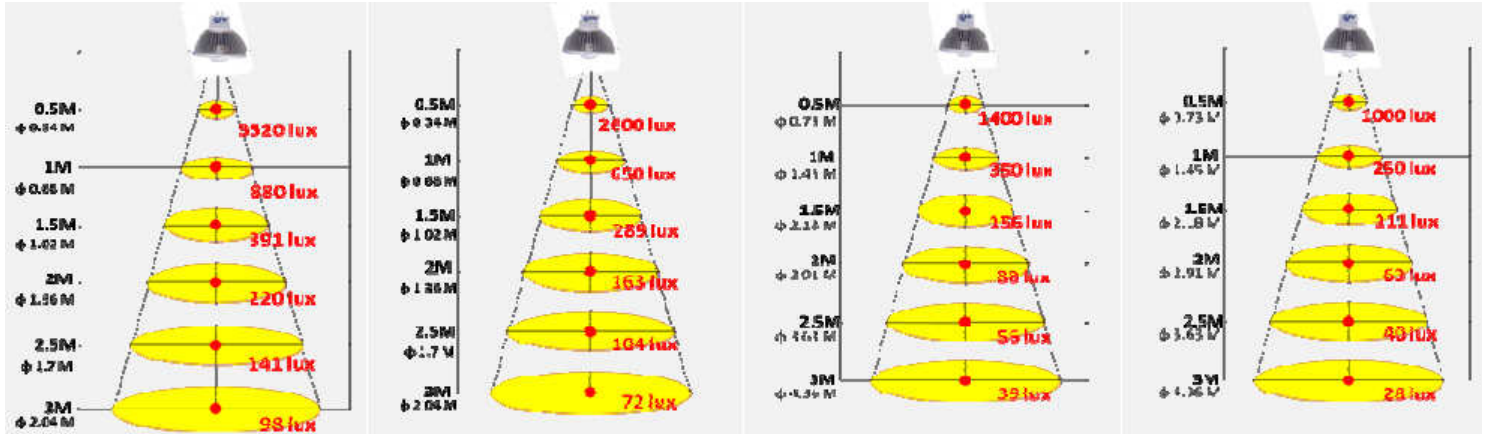
Illuminance at Distance

30° Lens :Clear

30° Lens :Foggy

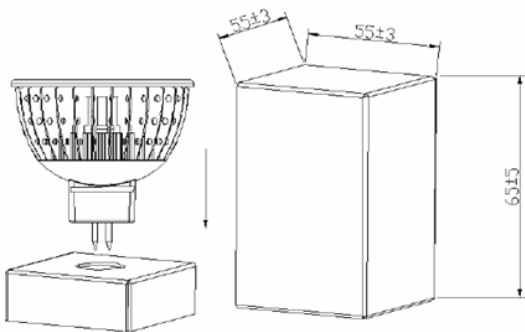
45° Lens :Clear

45° Lens :Foggy



Package

1. Single Unit:



2. Carton: 200pcs Unit Boxes

