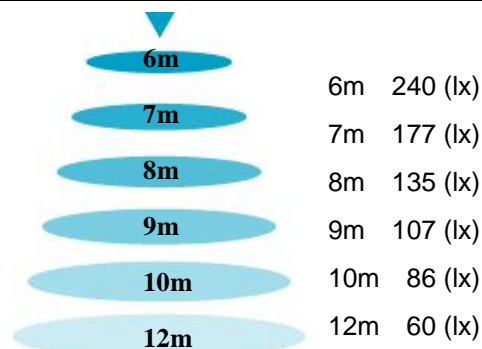




150W Circular High Bay

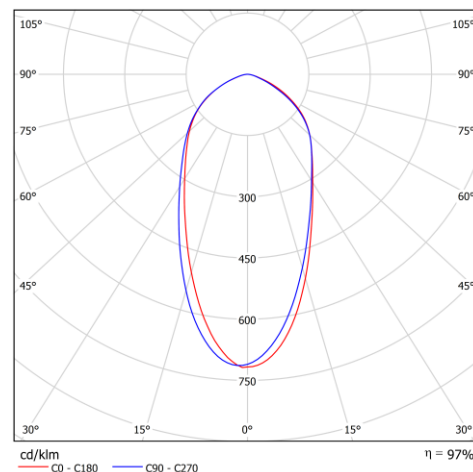
150W 6~12m Illuminance Distribution Plot



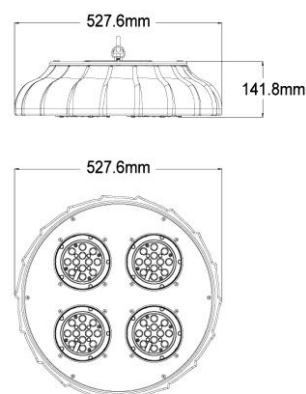
LED High Bay Light Specification

Model No.	LBA-LF03-1-150-CNCPPT06465-A
Input Voltage	AC 120~277 V
Rated Power	150 ± 10% W
Frequency	50/60 Hz
LED Qty	64 pcs
Lumens per Watt	≥80lm/W
Color Temp.	4000 ~ 6500 K
Usable lumens	≥12000 lm
E _{max}	(Height =6m): ≥240 (lx)
	(Height = 10m): ≥86 (lx)
CRI	Ra >70
Power Factor	>0.95
THD _I (%)	<15%
Operating Ambient Temp.	-40°C ~ 50°C
Operating Ambient Humidity	10% ~ 90% RH
Store Temp.	-40°C ~ 80°C
Life time	≥50000 hrs
Architecture	Aluminum Die-casting & PC Cover
Dimensions	Φ528 × 142 mm
Weight	6.0 ± 0.2 kg
Beam Angle	50°

150W Distribution Plot



Outline Dimensions



Remarks

- 1.The tolerance of luminous flux is ±10%.
2. The dimension tolerance is ±5mm.
- 3.Laster Tech Corporation LTD. All rights reserved. Product specifications are subject to change without notice.

