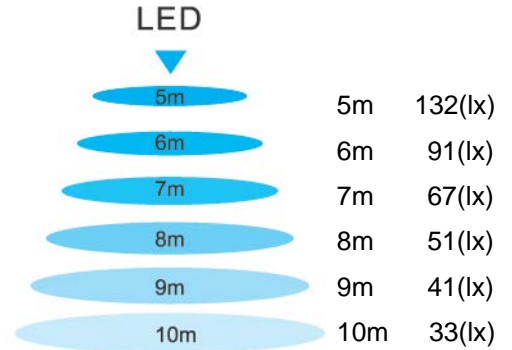




## 60W LED Streetlight

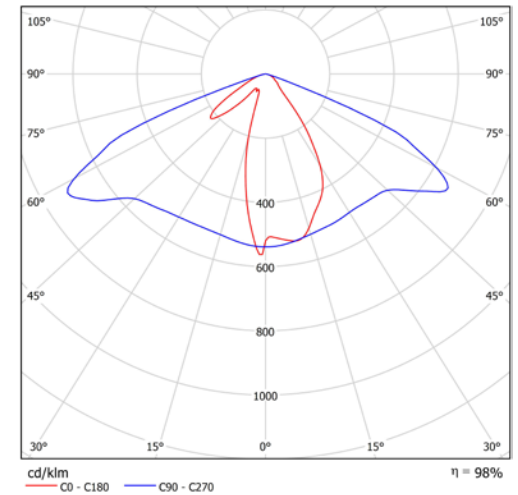
### 60W 5~10m Illuminance Distribution Plot



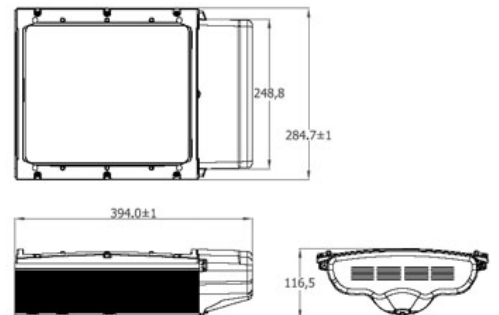
### LED STREETLIGHT SPECIFICATION

Model No.	L12-LS12-1-060-RNIPPX04265-A
Input Voltage	AC 120~277(Vac)
Frequency	50/60(Hz)
LED Qty	42(PCS)
Rated Power	60±10%(W)
Lumens per Watt (Efficacy)	105 (lm/W)
$E_{max}$	(Height= 8m): $\geq 51(lx)$
	(Height= 10m): $\geq 33(lx)$
$U_o$	(Height= 6m): $\geq 0.40$
$U_L$	(Height= 6m): $\geq 0.60$
Color Temp.(CCT)	4000K-6500K
CRI	Ra>70
Power Factor	>0.95
THD_I (%)	<15%
Operating Ambient Temp.	-40°C ~50°C
Operating Ambient Humidity	10%~90%(RH)
Store Temp.	-40°C ~80°C
Life time	$\geq 50000(HR)$
Architecture	Aluminum Base & Tempered glass
Dimensions (mm)	394(L)*285(W)*117(H)
Weight	7.8±0.2 (kg)
Waterproof	IP65

### 60W Distribution Plot



### Outline Dimensions



#### Remarks

- 1.The tolerance of luminous flux is  $\pm 10\%$ .
2. The dimension tolerance is  $\pm 5mm$ .
- 3.Laster Tech Corporation LTD. All rights reserved. Product specifications are subject to change without notice.



**RoHS CE**