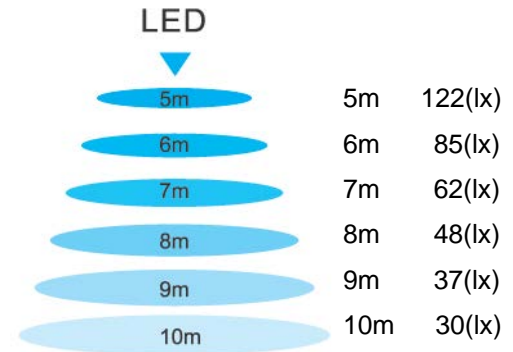




# 150W LED Tunnel Light

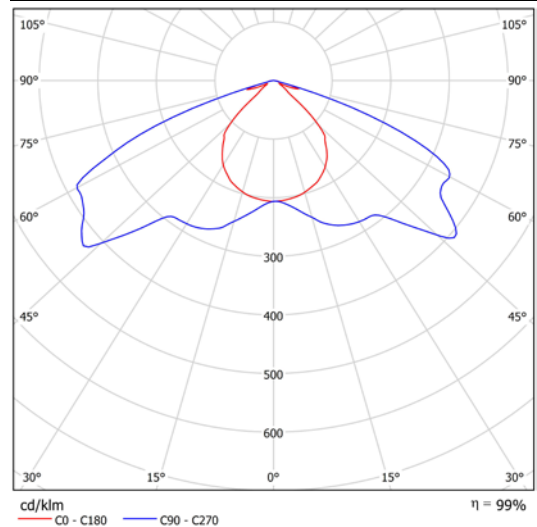
## 150W 5~10m Illuminance Distribution Plot



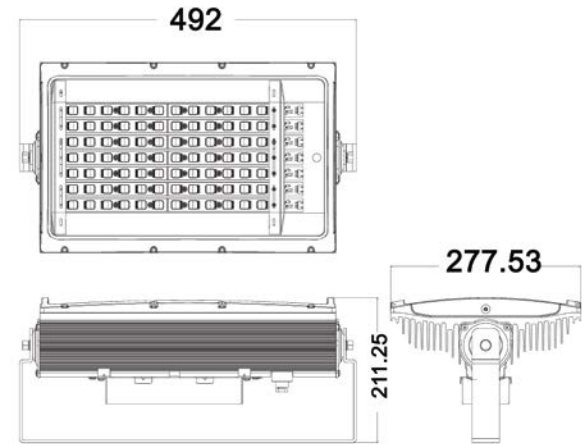
## LED TUNNEL LIGHT SPECIFICATION

Model No.	L81-L3.1-1-150-RNIPPX08465-A
Input Voltage	AC 120~277(Vac)
Frequency	50/60(Hz)
LED Qty	84(pcs)
Rated Power	150±10% (W)
Lumens per Watt (Efficacy)	100(lm/W)
$E_{max}$	(Height= 6m): ≥ 85 (lx)
	(Height= 8m): ≥ 48 (lx)
$U_o$	(Height= 5.5m): ≥ 0.40
$U_L$	(Height= 5.5m): ≥ 0.60
Color Temp.(CCT)	4000K±280K
CRI	Ra>70
Power Factor	>0.95
Operating Ambient Temp.	-40°C~50°C
THD_I (%)	<15%
Operating Ambient Humidity	10%~90%(RH)
Store Temp.	-40°C~80°C
Life time(L70)	≥ 50000(HR)
Architecture	Aluminum Base & tempered glass
Dimensions (mm)	492(L)*277(W)*211(H)
Weight	12±0.2(kg)
Waterproof	IP65

## 150W Distribution Plot



## Outline Dimensions



### Remarks

- 1.The tolerance of luminous flux is ±10%.
2. The dimension tolerance is ±5mm.
- 3.Laster Tech Corporation LTD. All rights reserved. Product specifications are subject to change without notice.

