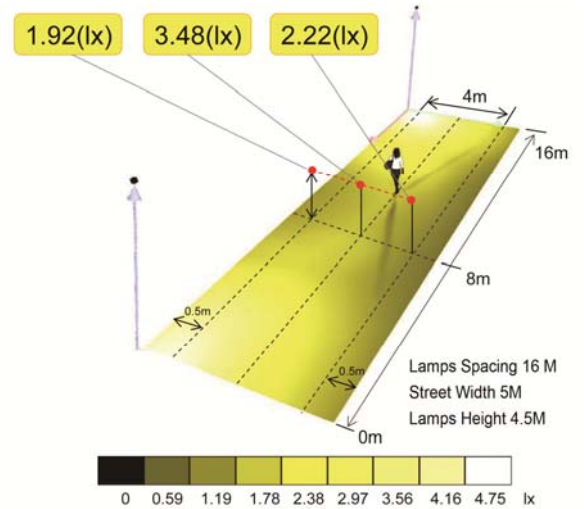




9.1W LED Security Lamp

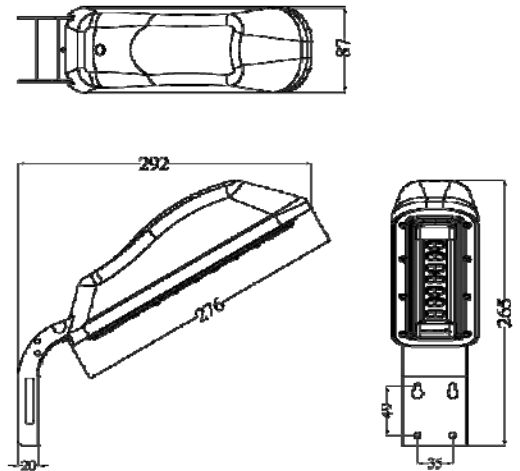
Distribution Plot



LED Security Lamp Specification

Model No.	LS1-LS07-1-010-CNCL0T00701-I
Input Voltage	AC 200~264 V
Rated Power	9.1 W
Input current	0.093 A
Frequency	50/60 Hz
LED Qty	7 pcs
Usable lumens	800 lm
Color Temp.(CCT)	5000 ~ 8000 K
CRI	Ra>70
Power Factor	>0.95
Operating Ambient Temp.	-10°C ~ 40°C
Operating Ambient Humidity	10% ~ 90% RH
Store Temp.	-40°C~80°C
Life time(L70)	≥ 60000 hrs
Architecture	Aluminum Pressure-casting & PC
Dimensions (mm)	87 × 292 × 265 mm
Weight	970 g
Waterproof	IP 54
Resistance to lightning	13 KV

Outline Dimensions



Remarks

1. The tolerance of luminous flux is ±10%.
2. The dimension tolerance is ±5mm.
3. Laster Tech Corporation LTD. All rights reserved. Product specifications are subject to change without notice.