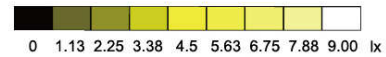
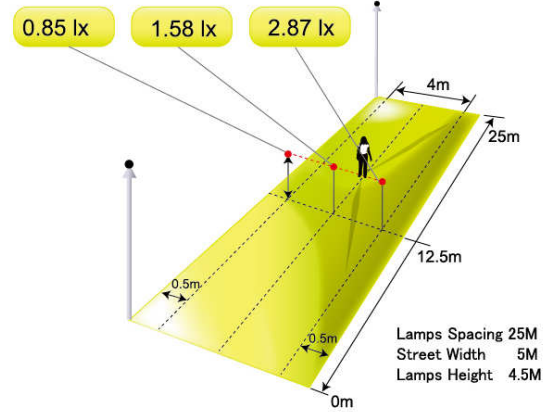


18W LED Security Lamp



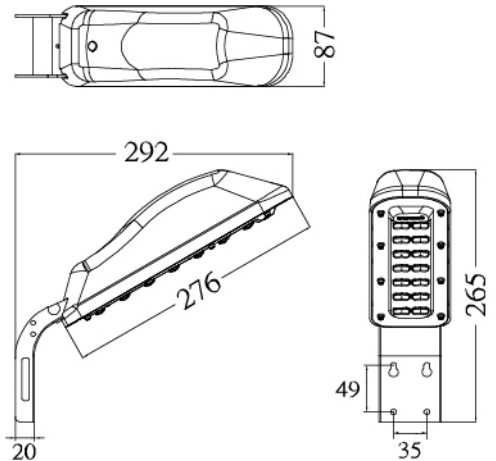
Distribution Plot



LED Security Lamp Specification

Model No.	LS1-LS14-1-020-CNCL0T01401-I
Input Voltage	AC 200~264 V
Rated Power	18.2 W
Input current	0.19 A
Frequency	50/60 Hz
LED Qty	14 pcs
Usable lumens	1500 lm
Color Temp.(CCT)	5000 ~ 8000 K
CRI	Ra>70
Power Factor	>0.95
Operating Ambient Temp.	-10°C ~ 40°C
Operating Ambient Humidity	10% ~ 90% RH
Store Temp.	-40°C~80°C
Life time(L70)	≥ 60000 hrs
Architecture	Aluminum Pressure-casting & PC
Dimensions (mm)	87 × 292 × 265 mm
Weight	1.1 kg
Waterproof	IP 54
Resistance to lightning	15 KV

Outline Dimensions



Remarks

- 1.The tolerance of luminous flux is ±10%.
2. The dimension tolerance is ±5mm.
- 3.Laster Tech Corporation LTD. All rights reserved. Product specifications are subject to change without notice.