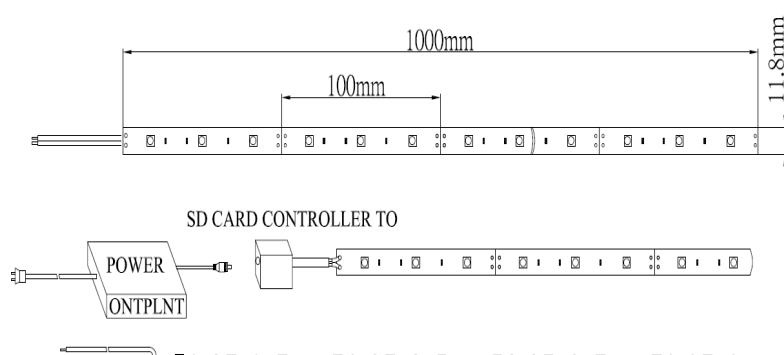




LED Flexible Strip (7.2W)

Dimension:



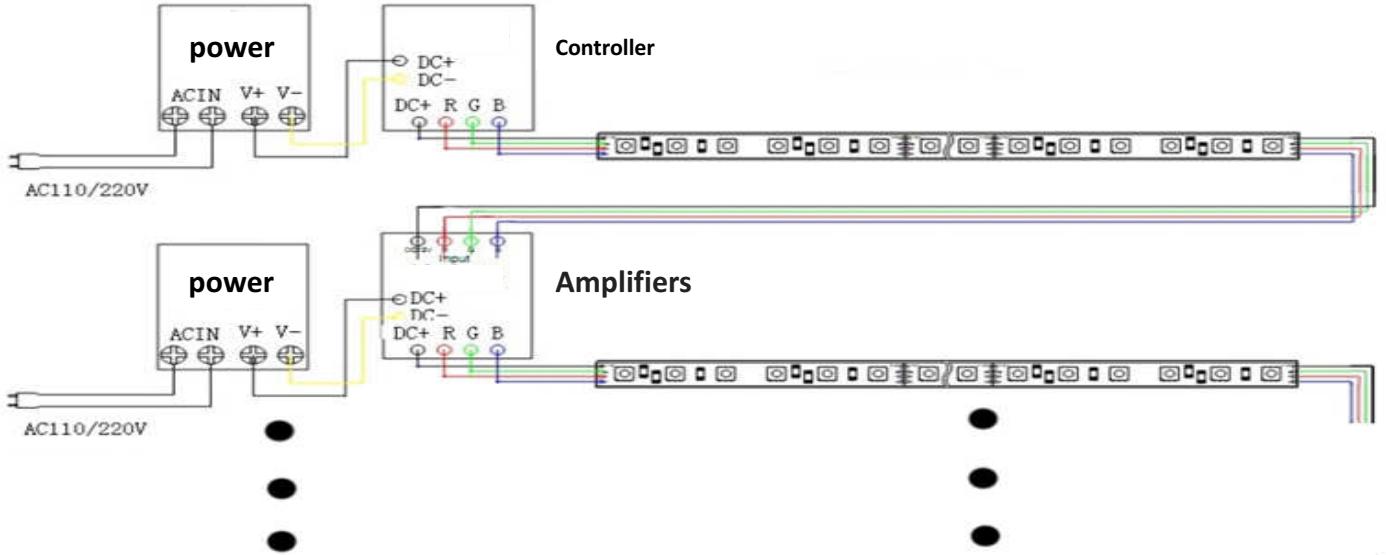
Specification	
Model No.	LOM-SL75050RGB-30
Input Voltage	12V DC
Rated Power	7.2W±10%
Luminous Flux	550 lm
Lumens Efficiency	75 lm/W
Dominant Wavelength .	R:620-625nm G:520-526nm B:466-470nm
CRI	≥ 70
Operating Temp.	-25°C~40°C
Life Time	≥ 50000 hrs
Beam angle	120°
Dimensions	1000 X 11.8 mm
LED Q'ty	30pcs
Weight	2.0kg±20g

Remarks

- 1.The tolerance of luminous flux is ±10%.
2. The dimension tolerance is ±5mm.

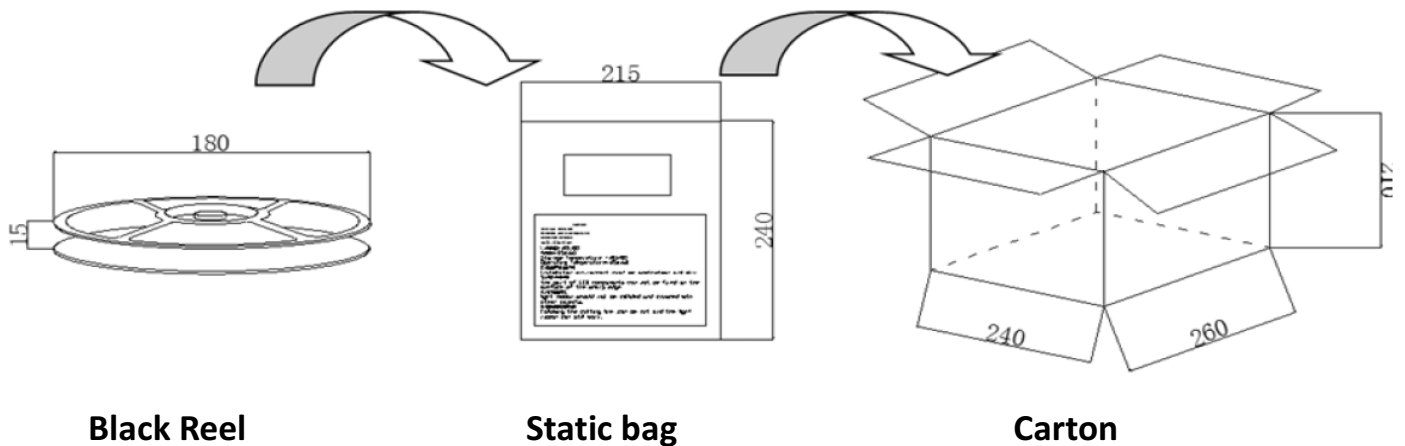
3.Laster Tech Corporation LTD. All right reserved. Building F No.4,Minxiang St., Zhonghe City, Taipei County 235, Taiwan V1.0

Wiring Diagram



* Don't apply the reverse polarity to the actuator unit.

Package



Black Reel

Static bag

Carton

Model number	Reel/Pcs	Reel/Cotnnt	Carton Size
LOM-SL75050RGB-30	5m/Pcs	10Pcs/Reel	260*240*210mm