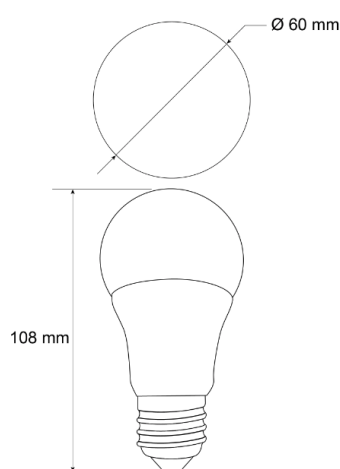




LED BULB (7W)



Dimension:



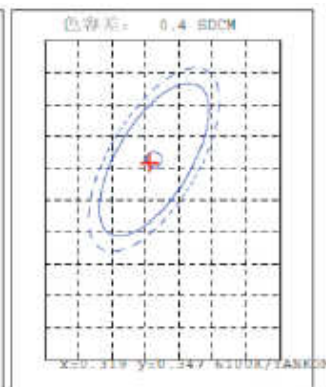
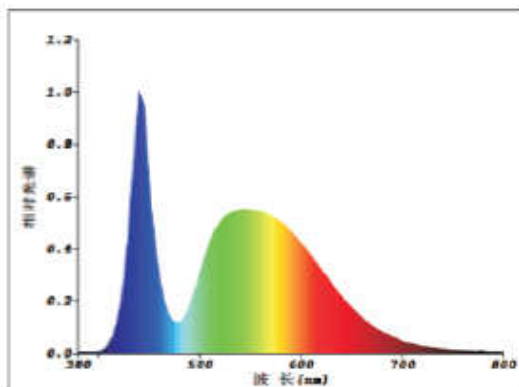
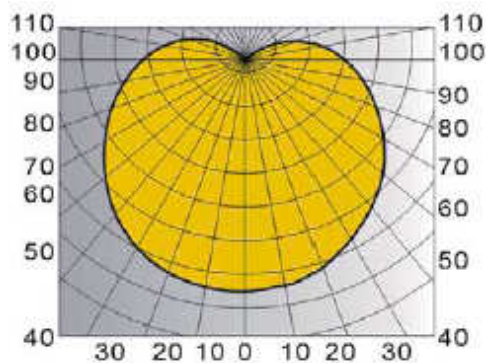
Specification

Model No.	LOM-A19C728-G	LOM-A19N728-G	LOM-A19W728-G
Input Voltage	AC185-265V	AC185-265V	AC185-265V
Rated Power	7 W±10%	7 W±10%	7W±10%
Total Lumens	630lm	600 lm	600 lm
Lumens Efficiency	90 lm/W	85 lm/W	85 lm/W
Color Temp.	6500±500K	4000±500K	3000±500K
CRI	80	80	80
Operating Temp.	-25°C~40°C	-25°C~40°C	-25°C~40°C
Base	E27	E27	E27
Life Time	20000 hrs	20000 hrs	20000 hrs
Beam angle	140°	140°	140°
Dimensions	φ 60 *(H)108 mm	φ 60 *(H)108 mm	φ 60 *(H)108 mm
Weight	65±20 g	65±20 g	65±20 g

Remarks

- 1.The tolerance of luminous flux is ±10%.
2. The dimension tolerance is ±5mm.
- 3.Laster Tech Corporation LTD. All rights reserved. Product specifications are subject to change without notice.

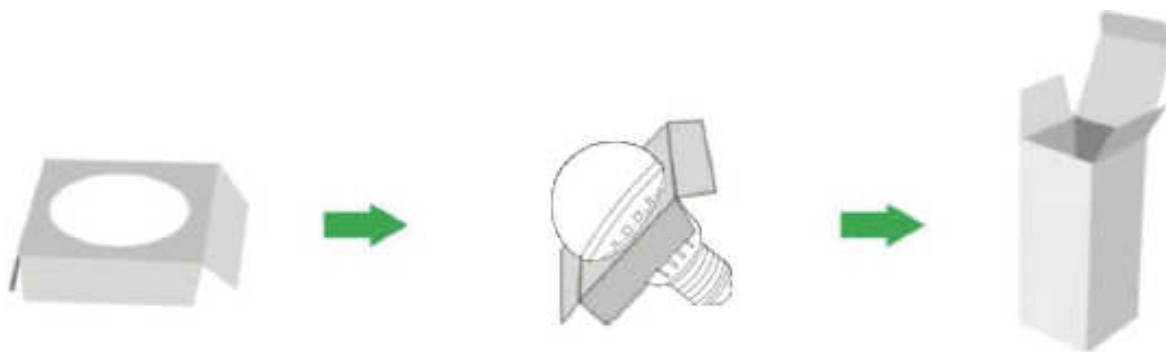
LUMINOUS INTENSITY DISTRIBUTION



PACKAGE DRAWING

Dimensions :

Box :68*68*120mm,



Carton:520*325*325mm

Package: one bulb in an inner box, one master carton contain 100 inner boxes.

