

LOJ-C1-90 LED Flood Light



Specification :

Model No.	LOJ-C1-90-Cxx	LOJ-C1-90-Nxx	LOJ-C1-90-Wxx
Input Voltage	AC 100~277(Vac)		
Frequency	50/60(Hz)		
LED Qty	72(pcs)		
Rated Power	85±10%(W)		
Luminous Flux	6652(lm)	6119(lm)	5067(lm)
Color Temp.(CCT)	6500K±500K	4000K±500K	3000K±500K
CRI	Ra>70		
Power Factor	>0.9		
Operating Ambient Temp.	-35°C ~50°C		
Operating Ambient Humidity	10%~90%(RH)		
Life time(L70)	≥ 50000(HR)		
Architecture	Aluminum Base		
Dimensions (mm)	454(L)*420(W)*106(H)		
Weight	10.2±0.5(kg)		
Waterproof	IP65		

Remarks

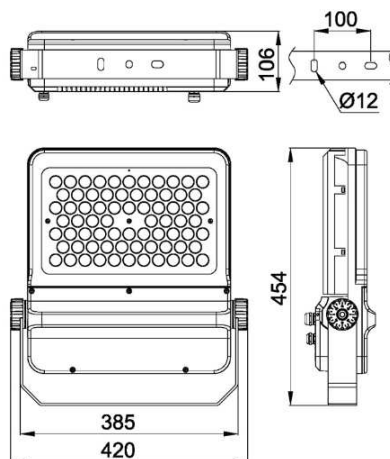
- 1.'xx' in Model No. represents different lighting distributions (10 / 25 / 40 / 60), please refer to Distribution Plot in next page for more details
- 2.The Luminous Flux above is calculated based on 10 degree beam angle.
- 3..The tolerance of luminous flux is ±10%.
- 4.The dimension tolerance is ±5mm.
- 5.The appearance and specifications of the product may be modified for improvement without notice.
- 6.All parameters of products are based on the measurement of Laster Tech laboratory.



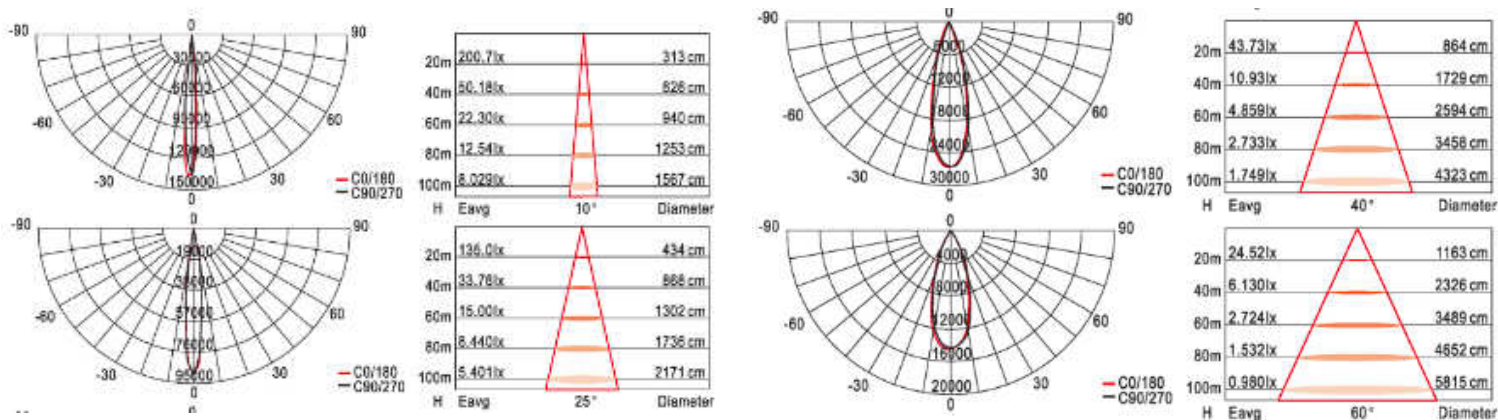
Product Photo:



Dimension:



Distribution Plot:



Installation model:



External wire Box



Adjustable Angle Design



Overall Radiator On The Back