

LOJ-F5-252 LED Middle-High Mast Light



Specification :

Model No.	LOJ-F5-252-Cxx	LOJ-F5-252-Nxx	LOJ-F5-252-Wxx
Input Voltage	AC 100~277(Vac)		
Frequency	50/60(Hz)		
LED Qty	252(pcs)		
Rated Power	580±10%(W)		
Luminous Flux	38834(lm)	35921(lm)	29785(lm)
Color Temp.(CCT)	6500K±500K	4000K±500K	3000K±500K
Operating Ambient Temp.	-35°C ~50°C		
Operating Ambient Humidity	10%~90%(RH)		
Life time(L70)	≥ 50000(HR)		
Architecture	Aluminum Base		
Dimensions (mm)	782(L)*707(W)*260(H)		
Weight	30.0±0.5(kg)		
Waterproof	IP65		

Remarks

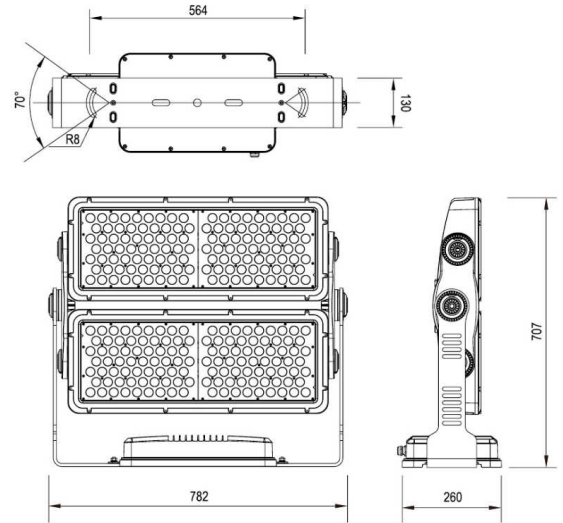
- 1.xx" in Model No. represents different lighting distributions (10 / 25 / 40 / 60), please refer to Distribution Plot in next page for more details
- 2.The Luminous Flux above is calculated based on 10 degree beam angle.
- 3..The tolerance of luminous flux is ±10%.
- 4.The dimension tolerance is ±5mm.
- 5.The appearance and specifications of the product may be modified for improvement without notice.



Product Photo:



Dimension:



Adjust can be précised to 2.5° degree: use flexible, optional sighting accurate positioning for long distance.

Distribution Plot:

