

## LOJ-A2-30 LED Street light



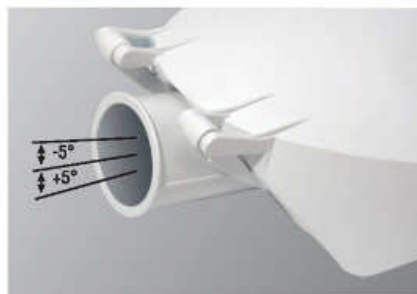
### LED STREET LIGHT SPECIFICATION

Model No.	LOJ-A2-30-Cxxxx	LOJ-A2-30-Nxxxx	LOJ-A2-30-Wxxxx
Input Voltage	AC 100~277(Vac)		
Frequency	50/60(Hz)		
LED Qty	24(pcs)		
Rated Power	30±10%(W)		
Luminous Flux	3330(lm)	3080(lm)	2500(lm)
Color Temp.(CCT)	6500K±500K	4000K±500K	3000K±500K
CRI	Ra>70		
Power Factor	>0.9		
Operating Ambient Temp.	-35°C~50°C		
Operating Ambient Humidity	10%~90%(RH)		
Life time(L70)	≥ 50000(HR)		
Architecture	Aluminum Base		
Dimensions (mm)	644(L)*303(W)*132(H)		
Weight	5.6±0.5(kg)		
Waterproof	IP65		

Notes : "xxxx" in Model No. represents different lighting distributions (T2-1 / T2-2 / T3-1), please refer to Distribution Plot in next page for more details.

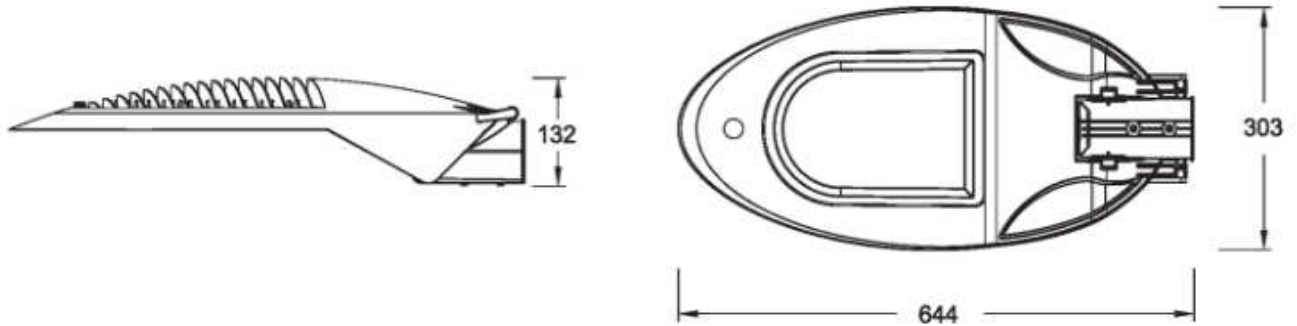


When vertical install LED light, adjust angle is from 0-10°

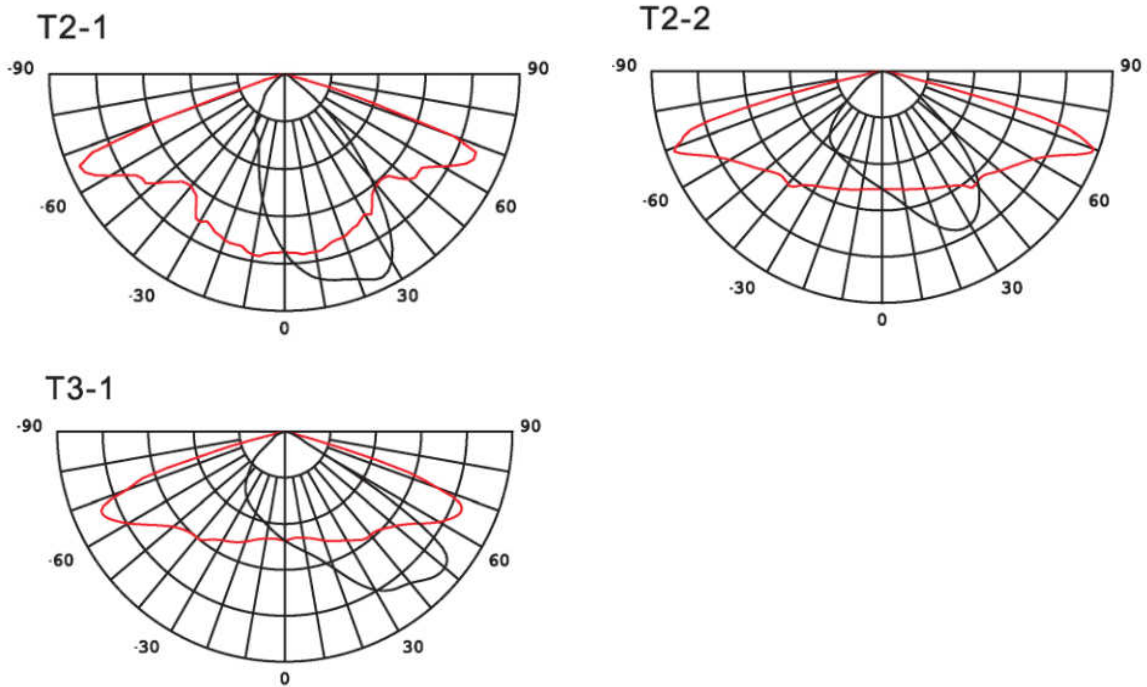


When horizontal install LED light, adjust angle is ±5°

**Outline Dimensions**



**Distribution Plot**



**RoHS** **CE**

**Remarks**

- 1.The tolerance of luminous flux is  $\pm 10\%$ .
- 2.The dimension tolerance is  $\pm 5\text{mm}$ .
- 3.The appearance and specifications of the product may be modified for improvement without notice.
- 4.All parameters of products are based on the measurement of Laster Tech laboratory.