

LOJ-A2-110 LED Street Light



LED STREET LIGHT SPECIFICATION

Model No.	LOJ-A2-110-Cxxxx	LOJ-A2-110-Nxxxx	LOJ-A2-110-Wxxxx
Input Voltage	AC 100~277(Vac)		
Frequency	50/60(Hz)		
LED Qty	96(pcs)		
Rated Power	115±10%(W)		
Luminous Flux	13530(lm)	12530(lm)	10150(lm)
Color Temp.(CCT)	6500K±500K	4000K±500K	3000K±500K
CRI	Ra>70		
Power Factor	>0.9		
Operating Ambient Temp.	-35°C~50°C		
Operating Ambient Humidity	10%~90%(RH)		
Life time(L70)	≥ 50000(HR)		
Architecture	Aluminum Base		
Dimensions (mm)	864(L)*375(W)*168(H)		
Weight	10.93±0.5(kg)		
Waterproof	IP65		

Notes : "xxxx" in Model No. represents different lighting distributions (T1-1 / T2-1 / T2-2 / T3-2), please refer to Distribution Plot in next page for more details.

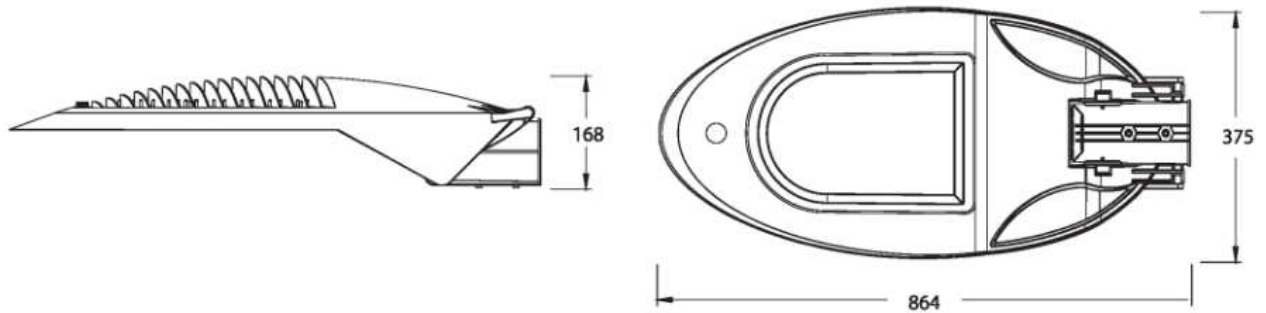


When vertical install LED light, adjust angle is from 0-10°

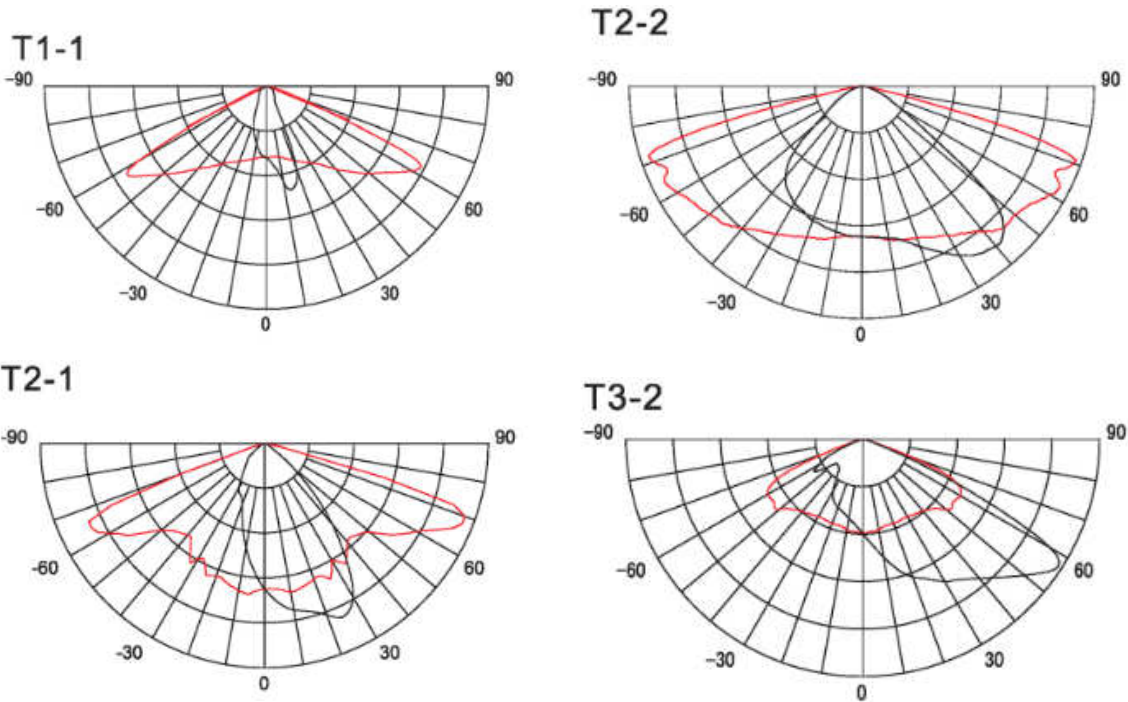


When horizontal install LED light, adjust angle is ±5°

Outline Dimensions



Distribution Plot



RoHS **CE**

Remarks

- 1.The tolerance of luminous flux is $\pm 10\%$.
- 2.The dimension tolerance is $\pm 5\text{mm}$.
- 3.The appearance and specifications of the product may be modified for improvement without notice.
- 4.All parameters of products are based on the measurement of Laster Tech laboratory.