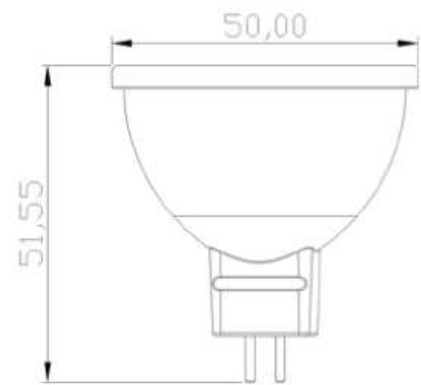




LED Dimmable MR16 (5W)

Dimension:



Specification

Model No.	LOB-MR16C5F8-DM	LOB-MR16W5F8-DM
Input Voltage	AC/DC 12V	AC/DC 12V
Rated Power	5 W \pm 10%	5 W \pm 10%
Total Lumens	420 lm	375 lm
Lumens Efficiency	85 lm/W	75 lm/W
Color Temp.	6000 \pm 500K	2700 \pm 500K
CRI	80	80
Operating Temp.	-20 $^{\circ}$ C~45 $^{\circ}$ C	-20 $^{\circ}$ C~45 $^{\circ}$ C
Base	GU5.3	GU5.3
Life Time	\geq 30000 hrs	\geq 30000 hrs
Beam angle	40 $^{\circ}$	40 $^{\circ}$
Dimensions	50(D) X 51.5(H) mm	50(D) X51.5(H) mm
Weight	60 \pm 10 g	60 \pm 10 g
Dimmable	Yes	Yes

Remarks

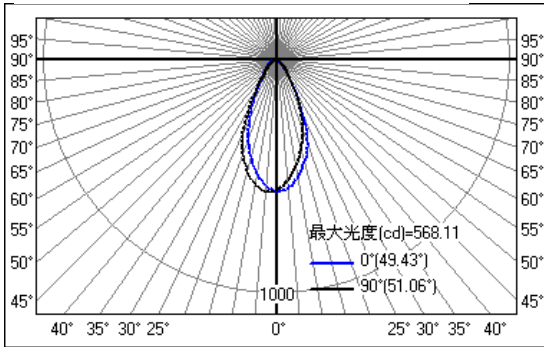
- 1.The tolerance of luminous flux is \pm 10%.
- 2.The dimension tolerance is \pm 5mm.
- 3.The appearance and specifications of the product may be modified for improvement without notice.
- 4.All parameters of products are based on the measurement of Laster Tech laboratory.

Laster Tech Corporation LTD. Building F No.4,Minxiang St., Zhonghe City, Taipei County 235, Taiwan V1.0

www.sweeo.com TEL:+886-2-22226112 FAX:+886-2-22226196

Distribution Plot:

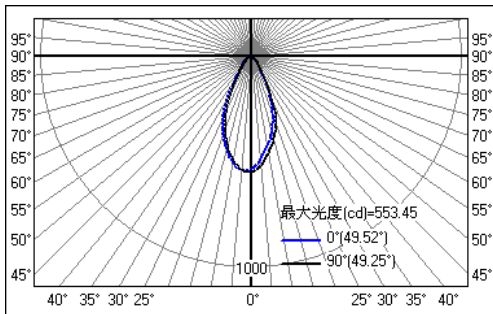
Warm White(CCT:6000K)



Lux at a Distance		
1 m	559 lx	96 cm 92 cm
2 m	140 lx	191 cm 184 cm
3 m	62 lx	287 cm 276 cm
4 m	35 lx	383 cm 368 cm
5 m	22 lx	479 cm 460 cm
6 m	16 lx	574 cm 552 cm
7 m	11 lx	670 cm 644 cm
8 m	9 lx	766 cm 736 cm
9 m	7 lx	862 cm 829 cm
10 m	6 lx	957 cm 921 cm

Vert. Spread: 51.1 deg. Horiz. Spread: 49.4 deg

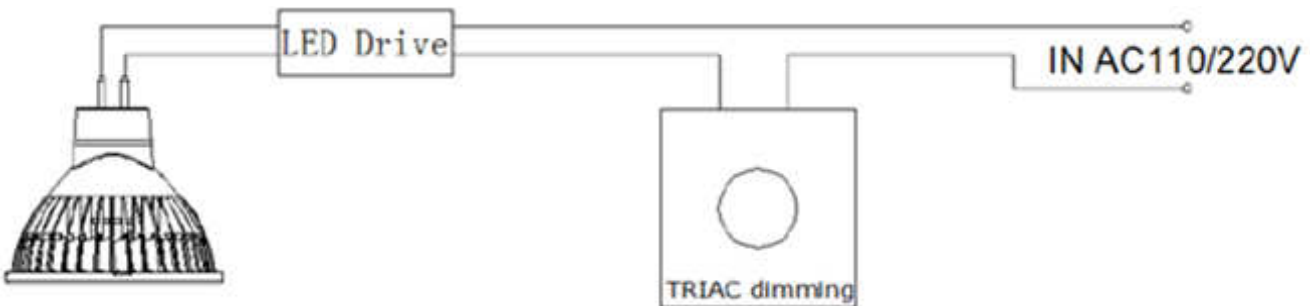
Warm White(CCT:2700K)



Lux at a Distance		
1 m	549 lx	92 cm 93 cm
2 m	137 lx	183 cm 185 cm
3 m	61 lx	275 cm 278 cm
4 m	34 lx	367 cm 370 cm
5 m	22 lx	458 cm 463 cm
6 m	15 lx	550 cm 555 cm
7 m	11 lx	642 cm 648 cm
8 m	9 lx	733 cm 740 cm
9 m	7 lx	825 cm 833 cm
10 m	5 lx	917 cm 925 cm

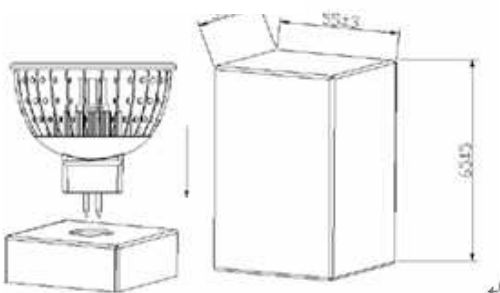
Vert. Spread: 49.2 deg. Horiz. Spread: 49.5 deg

Wiring Diagram (For Dimming)



Package

1.Single Unit:



2.Carton:200pcs Unit Boxes

