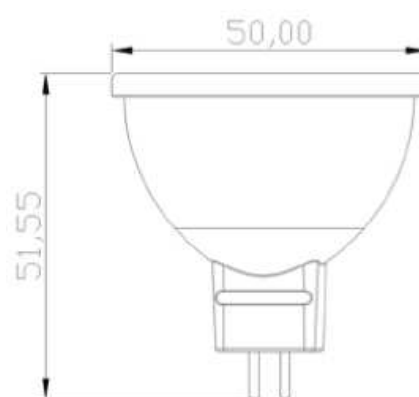




LED MR16 (5W)

Dimension:



Specification

	LOB-MR16C5F8	LOB-MR16W5F8
Model No.	LOB-MR16C5F8	LOB-MR16W5F8
Input Voltage	AC/DC 12V	AC/DC 12V
Rated Power	5 W \pm 10%	5 W \pm 10%
Total Lumens	420 lm	375 lm
Lumens Efficiency	85 lm/W	75 lm/W
Color Temp.	6000 \pm 500K	2700 \pm 500K
CRI	80	80
Operating Temp.	-20 $^{\circ}$ C~45 $^{\circ}$ C	-20 $^{\circ}$ C~45 $^{\circ}$ C
Base	GU5.3	GU5.3
Life Time	\geq 30000 hrs	\geq 30000 hrs
Beam angle	40 $^{\circ}$	40 $^{\circ}$
Dimensions	50(D) X 51.5(H) mm	50(D) X51.5(H) mm
Weight	60 \pm 10 g	60 \pm 10 g
Dimmable	No	No

Remarks

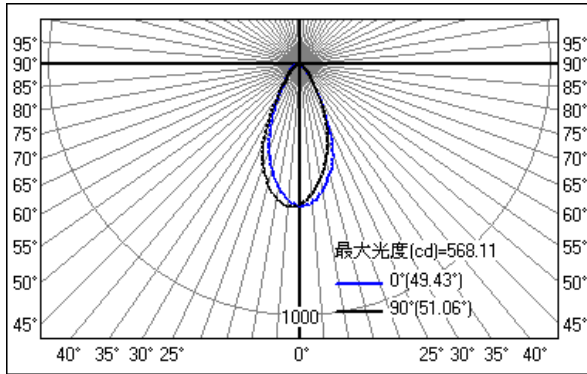
- 1.The tolerance of luminous flux is \pm 10%.
- 2.The dimension tolerance is \pm 5mm.
- 3.The appearance and specifications of the product may be modified for improvement without notice.
- 4.All parameters of products are based on the measurement of Laster Tech laboratory.

Laster Tech Corporation LTD. Building F No.4,Minxiang St., Zhonghe City, Taipei County 235, Taiwan V1.0

www.sweeo.com TEL:+886-2-22226112 FAX:+886-2-22226196

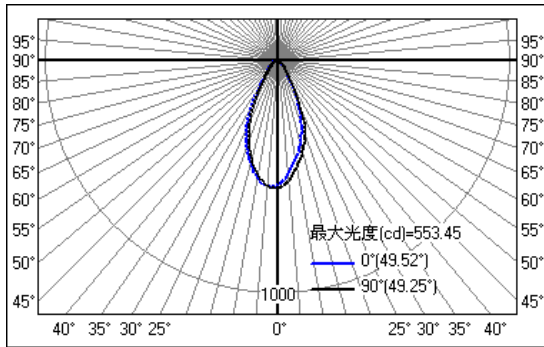
Distribution Plot:

Warm White(CCT:6000K)



Lux at a Distance			
1 m	559 lx	96 cm	92 cm
2 m	140 lx	191 cm	184 cm
3 m	62 lx	287 cm	276 cm
4 m	35 lx	383 cm	368 cm
5 m	22 lx	479 cm	460 cm
6 m	16 lx	574 cm	552 cm
7 m	11 lx	670 cm	644 cm
8 m	9 lx	766 cm	736 cm
9 m	7 lx	862 cm	829 cm
10 m	6 lx	957 cm	921 cm
Vert. Spread: 51.1 deg.		Horiz. Spread: 49.4 deg	

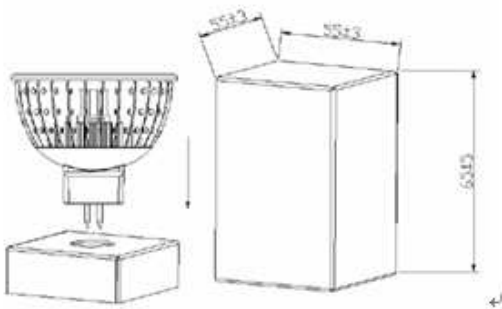
Warm White(CCT:2700K)



Lux at a Distance			
1 m	549 lx	92 cm	93 cm
2 m	137 lx	183 cm	185 cm
3 m	61 lx	275 cm	278 cm
4 m	34 lx	367 cm	370 cm
5 m	22 lx	458 cm	463 cm
6 m	15 lx	550 cm	555 cm
7 m	11 lx	642 cm	648 cm
8 m	9 lx	733 cm	740 cm
9 m	7 lx	825 cm	833 cm
10 m	5 lx	917 cm	925 cm
Vert. Spread: 49.2 deg.		Horiz. Spread: 49.5 deg	

Package

1.Single Unit:



2.Carton:200pcs Unit Boxes

