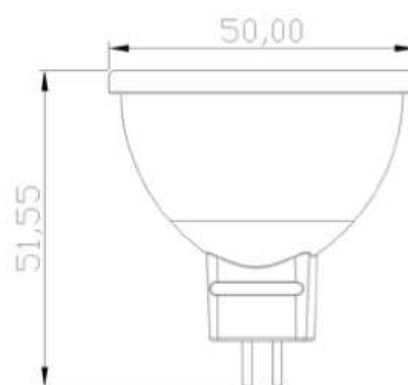




LED Dimmable MR16 (6W)

Dimension:



Specification

	LOB-MR16C6F8-DM	LOB-MR16W6F8-DM
Model No.	LOB-MR16C6F8-DM	LOB-MR16W6F8-DM
Input Voltage	AC/DC 12V	AC/DC 12V
Rated Power	6 W±10%	6 W±10%
Total Lumens	500 lm	450 lm
Lumens Efficiency	85 lm/W	75 lm/W
Color Temp.	6000 ±500K	2700 ±500K
CRI	80	80
Operating Temp.	-20°C~45°C	-20°C~45°C
Base	GU5.3	GU5.3
Life Time	≥ 30000 hrs	≥ 30000 hrs
Beam angle	40°	40°
Dimensions	50(D) X 51.5(H) mm	50(D) X51.5(H) mm
Weight	60±10 g	60±10 g
Dimmable	Yes	Yes

Remarks

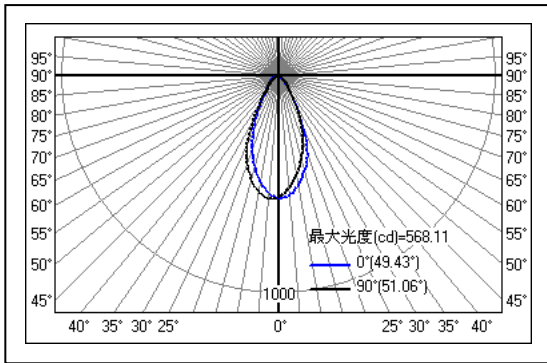
- 1.The tolerance of luminous flux is ±10%.
- 2.The dimension tolerance is ±5mm.
- 3.The appearance and specifications of the product may be modified for improvement without notice.
- 4.All parameters of products are based on the measurement of Laster Tech laboratory.

Laster Tech Corporation LTD. Building F No.4,Minxiang St., Zhonghe City, Taipei County 235, Taiwan V1.0

www.sweeo.com TEL:+886-2-22226112 FAX:+886-2-22226196

Distribution Plot:

Cool White(CCT:6000K)

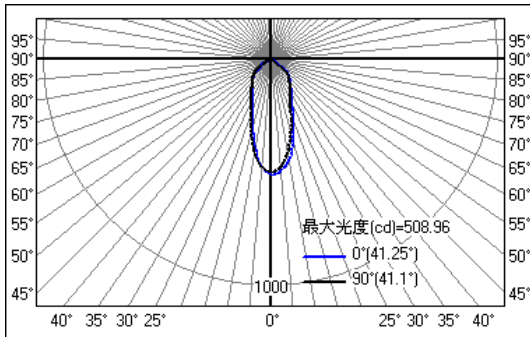


Lux at a Distance

1 m	559 lx	96 cm	92 cm
2 m	140 lx	191 cm	184 cm
3 m	62 lx	287 cm	276 cm
4 m	35 lx	383 cm	368 cm
5 m	22 lx	479 cm	460 cm
6 m	16 lx	574 cm	552 cm
7 m	11 lx	670 cm	644 cm
8 m	9 lx	766 cm	736 cm
9 m	7 lx	862 cm	829 cm
10 m	6 lx	957 cm	921 cm

Vert. Spread: 51.1 deg. Horiz. Spread: 49.4 deg

Warm White(CCT:2700K)

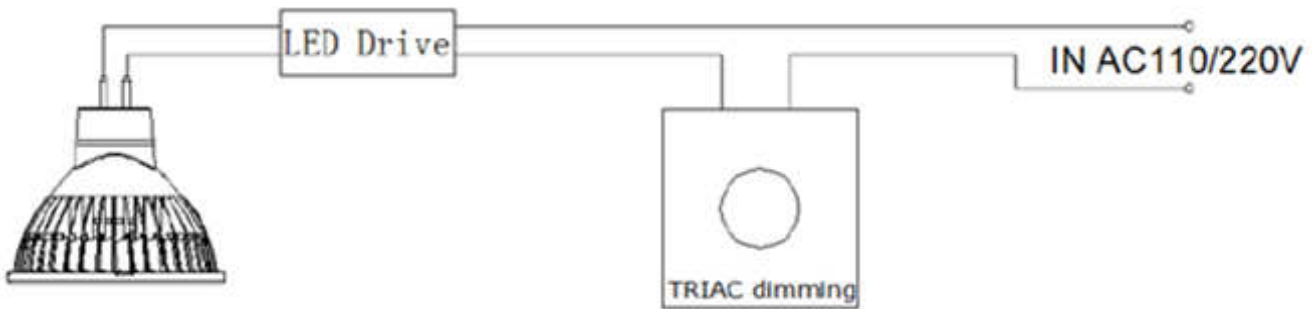


Lux at a Distance

1 m	499 lx	75 cm	75 cm
2 m	125 lx	150 cm	151 cm
3 m	55 lx	225 cm	226 cm
4 m	31 lx	300 cm	301 cm
5 m	20 lx	375 cm	377 cm
6 m	14 lx	450 cm	452 cm
7 m	10 lx	525 cm	528 cm
8 m	8 lx	600 cm	603 cm
9 m	6 lx	675 cm	678 cm
10 m	5 lx	750 cm	754 cm

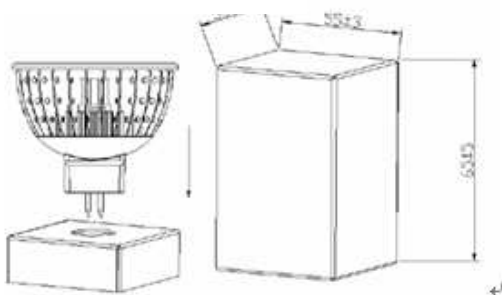
Vert. Spread: 41.1 deg. Horiz. Spread: 41.2 deg

Wiring Diagram (For Dimming)



Package

1.Single Unit:



2.Carton:200pcs Unit Boxes

