

LOB-TH200W LED High Bay Light



Specification :

Model No.	LOB-TH200W-xx	LOB-TH200W-xx +AL-60D	LOB-TH200W-xx +AL-90D	LOB-TH200W-xx +PC-70D
Input Voltage	AC 100~265(Vac)			
Frequency	50/60(Hz)			
LED Q'ty	224(pcs)			
Rated Power	200±10%(W)			
Luminous Flux(5000K)	22000(lm)	19360(lm)	19580(lm)	20020(lm)
Color Temp.(CCT)	3000/4000/5000/5700K			
CRI	80			
Power Factor	>0.95			
Operating Ambient Temp.	-35°C~50°C			
Architecture	Aluminum Base + PC			
Dimensions (mm)	410(Dia)*478(H)			
Weight	5.7±0.5(kg)	6.1±0.5(kg)	6.1±0.5(kg)	6.2±0.5(kg)
Life Time	40000hrs at 50°C ambient temperature			
Waterproof	IP65			
Beam Angle	110°	55°	85°	70°

Remarks

- 1.The tolerance of luminous flux is ±10%.
- 2.The dimension tolerance is ±5mm.
- 3.The appearance and specifications of the product may be modified for improvement without notice.
- 4.All parameters of products are based on the measurement of Laster Tech laboratory.

Product Photo:



LOB-TH200W-xx



LOB-TH200W-xx+AL-60D

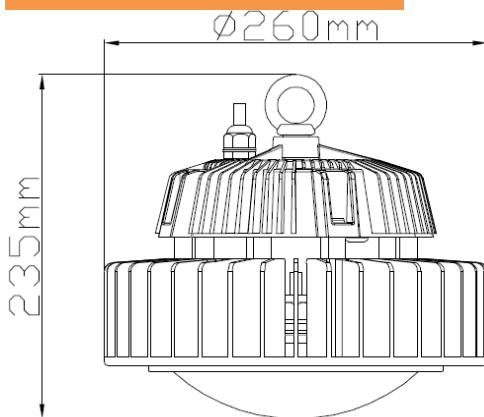


LOB-TH200W-xx+AL-90D

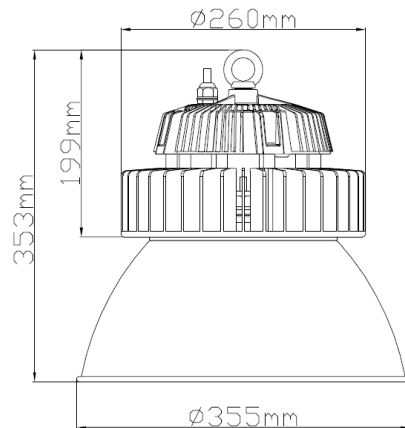


LOB-TH200W-xx+PC-70D

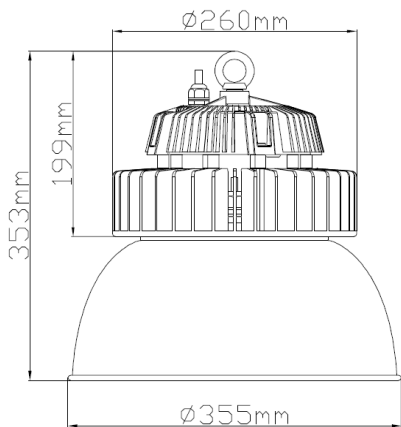
Dimension:



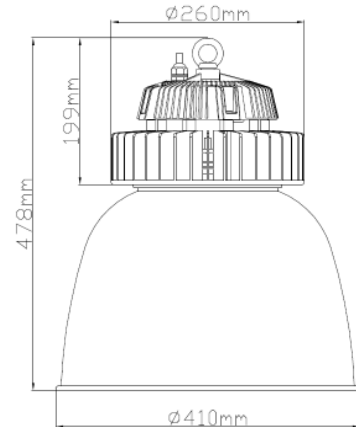
LOB-TH200W-xx



LOB-TH200W-xx+AL-60D

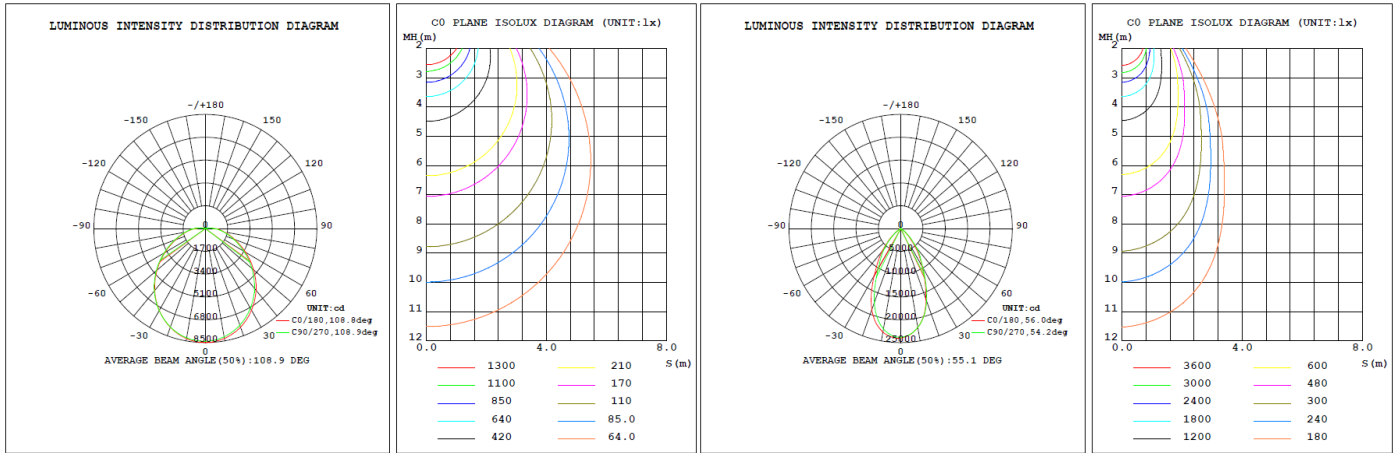


LOB-TH200W-xx+AL-90D



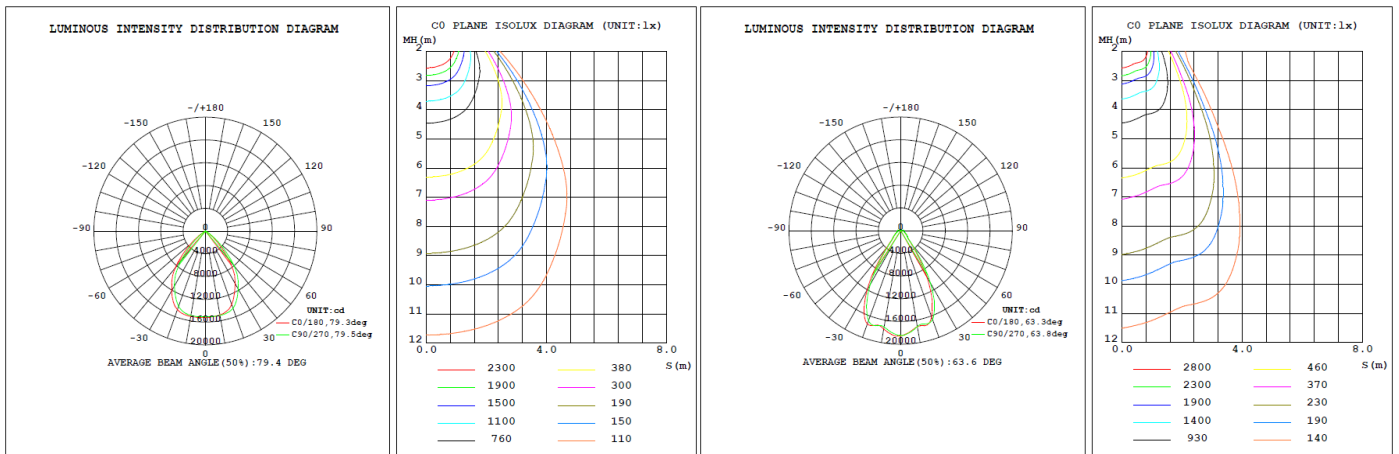
LOB-TH200W-xx+PC-70D

Light Distribution Curve



LOB-TH200W-xx

LOB-TH200W-xx+AL-60D



LOB-TH200W-xx+AL-90D

LOB-TH200W-xx+PC-70D

Installation:

