

## LOB-TH150W LED High Bay Light(High Lumen)



### Specification :

Model No.	LOB-TH150W-xx (224)	LOB-TH150W-xx (224)+AL-60D	LOB-TH150W-xx (224)+AL-90D	LOB-TH150W-xx (224)+PC-70D
Input Voltage	AC 100~265(Vac)			
Frequency	50/60(Hz)			
LED Q'ty	224(pcs)			
Rated Power	150±10%(W)			
Luminous Flux(5000K)	18750(lm)	16500(lm)	16680(lm)	17060(lm)
Color Temp.(CCT)	3000/4000/5000/5700K			
CRI	80			
Power Factor	>0.95			
Operating Ambient Temp.	-35°C~50°C			
Architecture	Aluminum Base + PC			
Dimensions (mm)	410(Dia)*452(H)			
Weight	4.5±0.5(kg)	4.9±0.5(kg)	4.9±0.5(kg)	5.0±0.5(kg)
Life Time	40000hrs at 50°C ambient temperature			
Waterproof	IP65			
Beam Angle	110°	55°	85°	70°

#### Remarks

- 1.The tolerance of luminous flux is ±10%.
- 2.The dimension tolerance is ±5mm.
- 3.The appearance and specifications of the product may be modified for improvement without notice.
- 4.All parameters of products are based on the measurement of Laster Tech laboratory.



**Product Photo:**



LOB-TH150W-xx(224)



LOB-TH150W-xx(224)+AL-60D

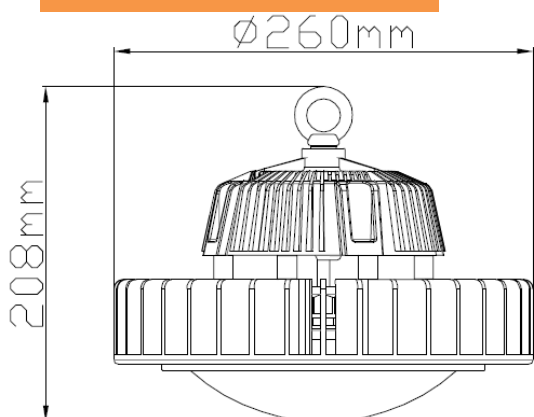


LOB-TH150W-xx(224)+AL-90D

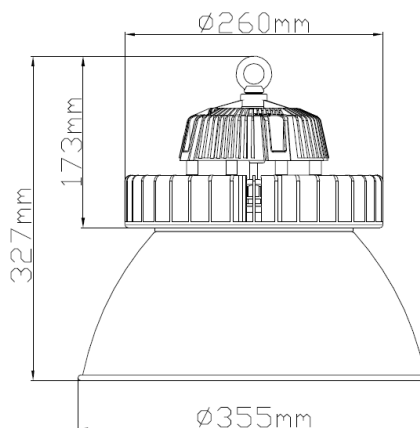


LOB-TH150W-xx(224)+PC-70D

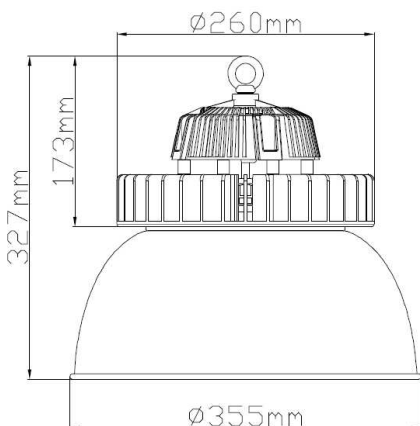
**Dimension:**



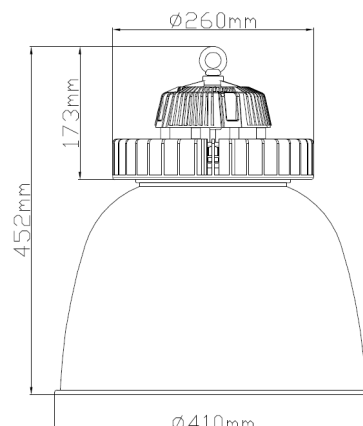
LOB-TH150W-xx(224)



LOB-TH150W-xx(224)+AL-60D

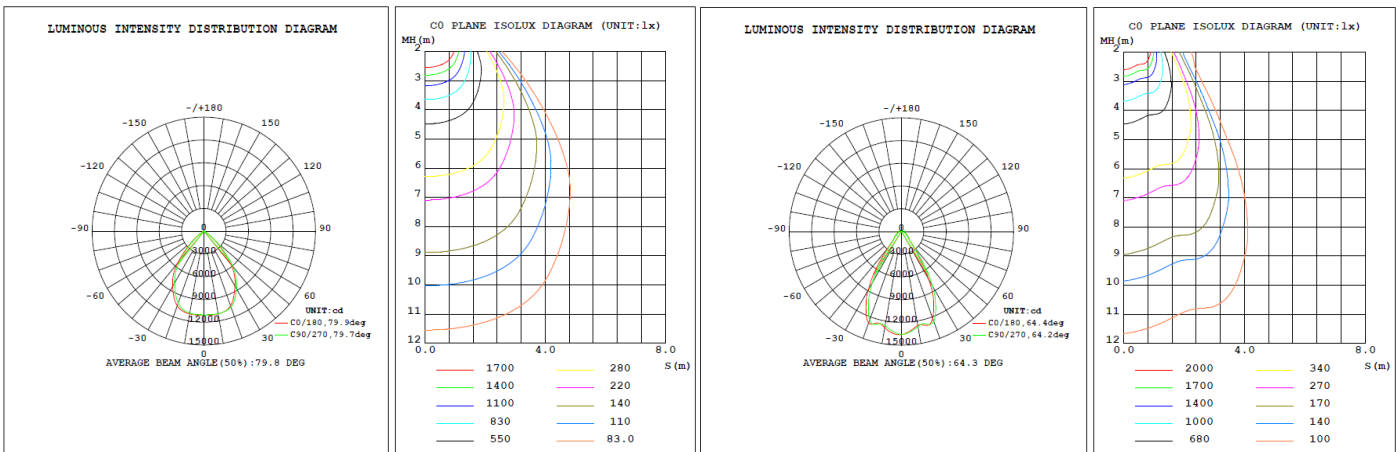
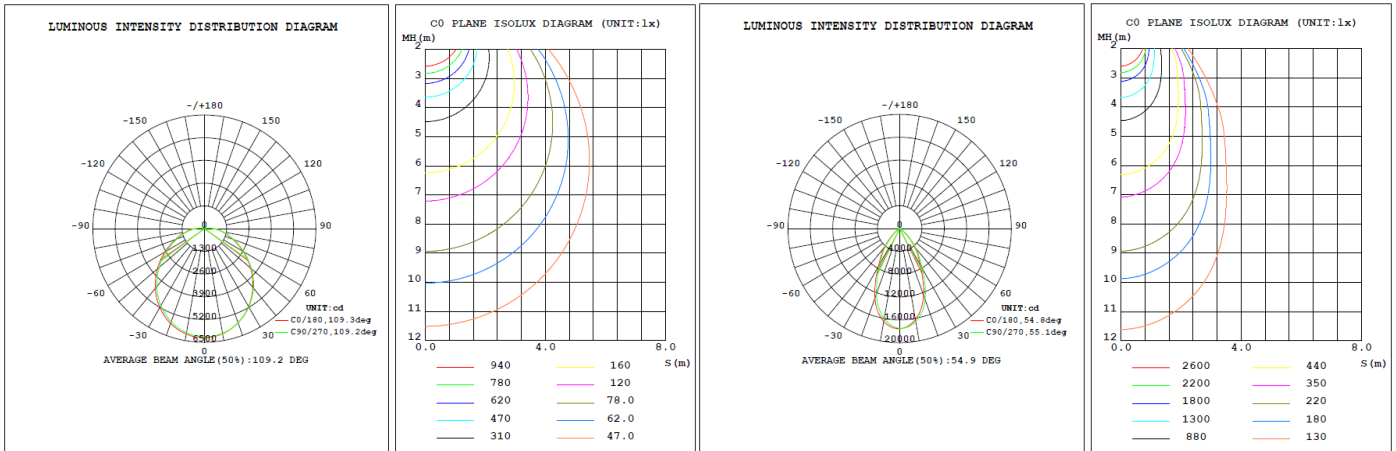


LOB-TH150W-xx(224)+AL-90D



LOB-TH150W-xx(224)+PC-70D

**Light Distribution Curve**



**Installation:**

