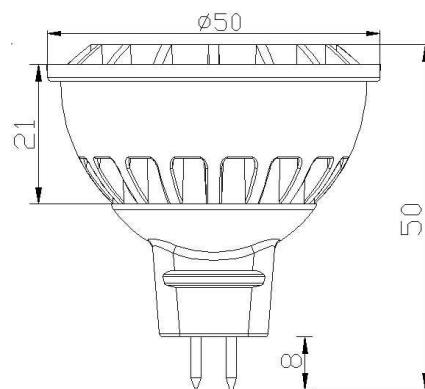


5W LED MR16

Dimension:



Specification

	LOL-MR16C5F8-xx	LOL-MR16W5F8-xx
Model No.	LOL-MR16C5F8-xx	LOL-MR16W5F8-xx
Input Voltage	12V DC/AC	12V DC/AC
Rated Power	5 W	5W
Lumen Flux	425 lm	400 lm
Luminous Efficiency	85 lm/W	80 lm/W
Color Temp.	6000K	3000 K
CRI	80	80
Operating Temp.	-25°C~40°C	-25°C~40°C
Base	GU5.3	GU5.3
Life Time	≥ 30000 hrs	≥ 30000 hrs
Beam angle	24°/36°	24°/36°
Dimensions	50.0(D) X 50.0(H) mm	50.0(D) X 50.0(H) mm
Weight	43±20 g	43±20 g

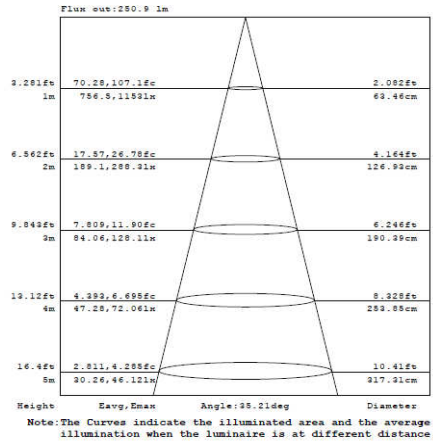
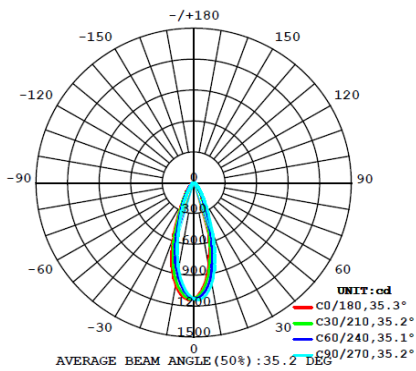
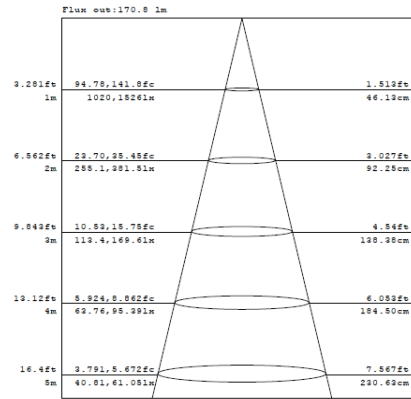
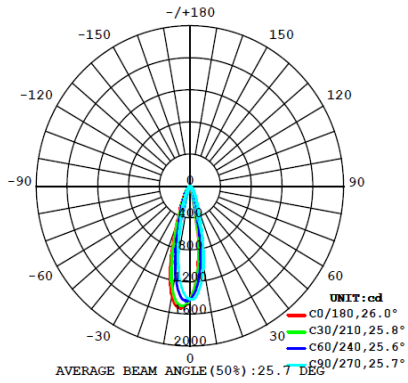
Remarks

1. The tolerance of luminous flux and rated power are ±10%
2. The tolerance of dimension is ±5mm
3. The tolerance of color temperature is ±500k
4. The appearance and specifications of the product may be modified for improvement without notice.
5. All parameters of products are based on the measurement of Laster Tech laboratory.
6. "xx" is Beam Angle have 24° 36° can option

Laster Tech Corporation LTD. Building F No.4, Minxiang St., Zhonghe City, Taipei County 235, Taiwan V1.0

www.sweeo.com TEL:+886-2-22226112 FAX:+886-2-22226196

LUMINOUS INTENSITY DISTRIBUTION



Package

1. Package: 1pc/box Dimension: 51*51*60mm Weight: 60g
2. Carton: 100pcs/carton Dimension: 270*270*260mm Weight: 6.5kg

