

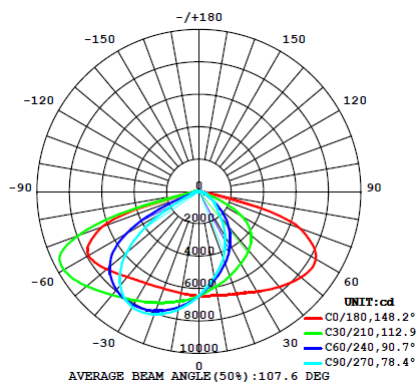
LOK-F LED Street Light



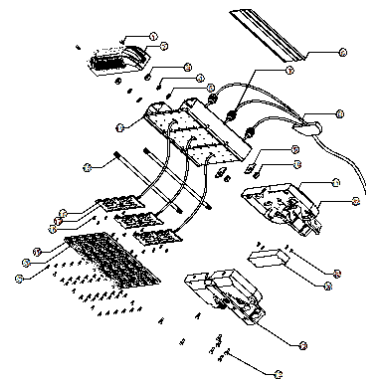
LED STREET LIGHT SPECIFICATION

Model No.	LOK-F-50-C	LOK-F-100-C	LOK-F-150-C	LOK-F-200-C
Input Voltage	AC 90~265(Vac)			
Frequency	50/60(Hz)			
Rated Power	50(W)	100(W)	150(W)	200(W)
Luminous Efficiency	120(lm/W)			
Color Temp.(CCT)	6500K			
CRI	Ra ≥ 70			
Power Factor	≥ 0.95			
iTHD	≤ 15%			
Operating Ambient Temp.	-20°C ~ 50°C			
Operating Ambient Humidity	10% ~ 90%(RH)			
Life time(L70)	≥ 50000(HR)			
Architecture	Aluminum Base			
Dimensions L x W x H(mm)	263x318x71	263x393x71	263x468x71	263x543x71
Weight	1.38±0.5(kg)	2.82±0.5(kg)	4.46±0.5(kg)	5.98±0.5(kg)
Waterproof	IP65			

Distribution Plot



BOM Plot

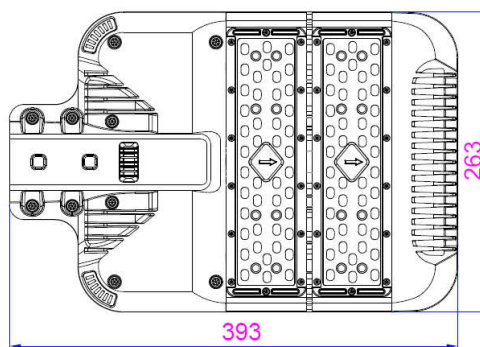
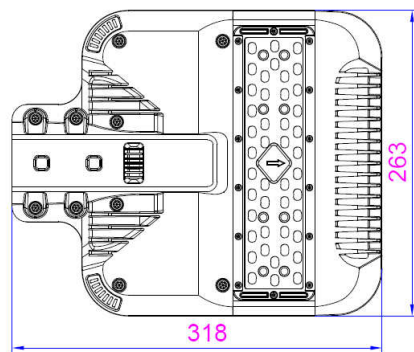
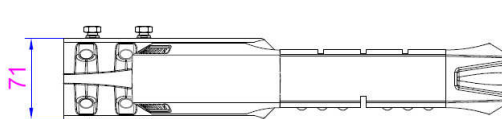
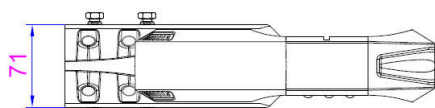


Remarks

- 1.The tolerance of luminous flux and rated power are ±10%
- 2.The tolerance of dimension is ±5mm
- 3.The tolerance of color temperature is ±500k
- 4.The appearance and specifications of the product may be modified for improvement without notice.
- 5.All parameters of products are based on the measurement of Laster Tech laboratory.

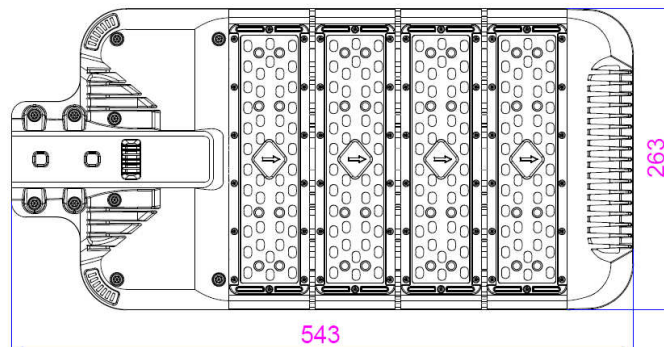
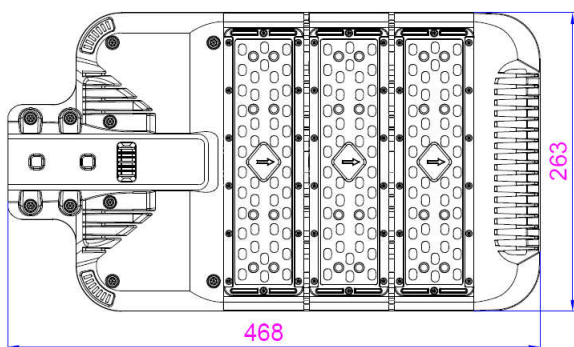
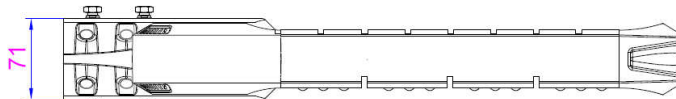
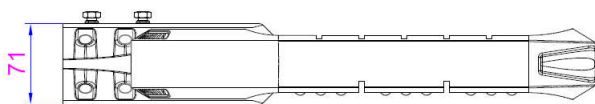


Outline Dimensions



50W

100W



150W

200W